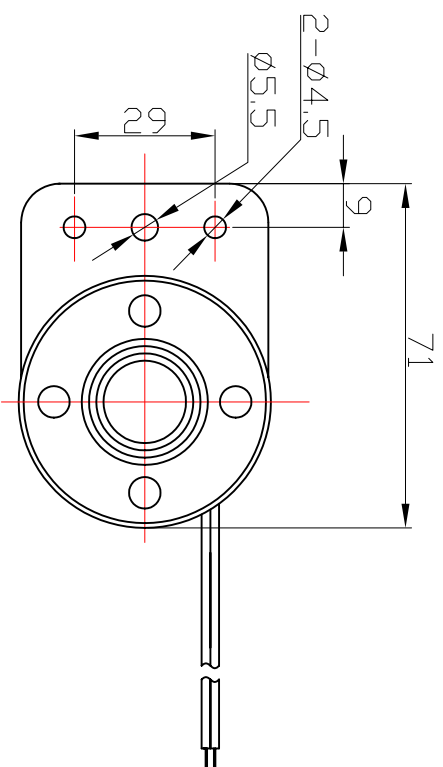
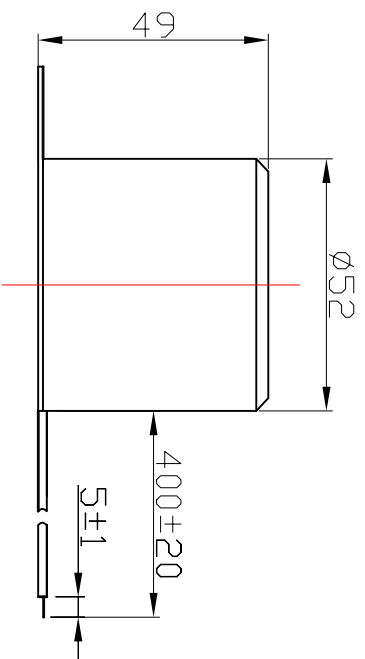


# Specification

(Test Condition, 25 °C)

1. Housing Material/ Color..... ABS / Black
2. Rated Voltage ..... 12VDC
3. Range Voltage ..... 8--15 VDC
4. S.P.L. .... min. 105dB(at 1 meter, 12VDC)
5. Current Draw ..... 280 mA Max.( at 12 VDC)
6. Tone Nature ..... Siren
7. Load Test ..... 8 Hours (at 12 VDC)
8. Heat Test ..... 8 Hours (at 60 °C)
9. Operating Temperature range ..... -20 ~ +65 °C
10. Wires Connection ..... Red +12V  
..... Black GND
11. Weight ..... 80 ±10 g



No.		DESCRIPTION		APPROVED	DATE	<b>KEPO</b> NINGBO KEEP IMPROVING ELECTRONIC CO.,LTD <a href="http://www.chinaacoustic.com">http://www.chinaacoustic.com</a>
TOLERANCES UNLESS NOTED OTHERWISE		APPROVALS		DATE		
mm	h	DRAWN				UNIT
xxx	h	CHECKED				mm
90° ANGLES ±1°		APPROVED			03.07.25	DWG NO.
FIRST ANGLE PROJECTION						KP3.840.410
						SCALE
						NOT TO SCALE
						SHEET
						VER. 1.1